

Job Name:	
Tag#	



Submittal Data Sheet

FTX09AXVJU / RX09AXVJU

0.75-Ton Wall Mounted Heat Pump System



Complete warranty details available from your local dealer or at www.daikincomfort.com. To receive the 12-Year Parts Limited Warranty, online registration must be completed within 60 days of installation. Online registration is not required in California or Quebec. *If product is installed in a commercial application, limited warranty period is 5 years.*

Indoor Specifications

Airflow Rate (cfm)	Cooling		Heating		
	H	M	H	M	
	431	322	402	322	
Sound (dBA) H / M / L / SL	L	SL	L	SL	
	249	219	249	219	
Sound (dBA) H / M / L / SL		43 / 36 / 30 / 25		43 / 36 / 29 / 25	
Dimensions (H x W x D) (in)		11-1/3 x 30-29/32 x 9-27/32			
Weight (Lbs)		20			

Outdoor Specifications

Compressor	Hermetically Sealed Swing Type			
Refrigerant	R-410A			
Factory Charge (Lbs)	1.54			
Refrigerant Oil	PVE (FVC50K)			
Airflow Rate (cfm)	Cooling		Heating	
	H	1,083	H	1,103
Sound Pressure Level (dBA)	46		48	
Dimensions (H x W x D) (in)	21-11/16 x 26-1/2 x 11-3/16			
Weight (Lbs)	57			

Efficiency

Cooling		Heating	
SEER	19	HSPF	10.0
EER	12.5	COP	4.06

Performance

Cooling (Btu/hr)	
Rated (Min/Max)	8,900 (4,400 / 10,200)
Sensible @ AHRI	8,040
Moisture Removal gal/h	.08
Standard Operating Range	50°F – 115°F
Extended Operating Range*	-4°F - 115°F

Rated Cooling Conditions: Indoor: 80°F DB/67°F WB
Outdoor: 95°F DB/75°F WB

*With field settings and wind baffle

Heating (Btu/hr)	
1: @ 47° Rated (Min/Max)	10,000 (4,400 / 13,000)
2: @ 17° Rated	5,700
Operating Range	5°F – 65°F

1: Rated Heating Conditions: Indoor: 70°F DB/60°F WB
Outdoor: 47°F DB/43°F WB
2: Rated Heating Conditions: Indoor: 70°F DB/60°F WB
Outdoor: 17°F DB/15°F WB

Electrical

	208/60/1	230/60/1
System MCA	8.7	8.7
System MFA	15.0	15.0
Compressor RLA	8.5	8.5
Outdoor fan motor FLA	0.36	0.36
Outdoor fan motor W	41	41
Indoor fan motor FLA	0.30	0.30
Indoor fan motor W	38	38

MFA: Max. fuse amps MCA: Min. circuit amps (A) FLA: Full load amps (A)
RLA: Rated load amps (A) W: Fan motor rated output (W)

Piping

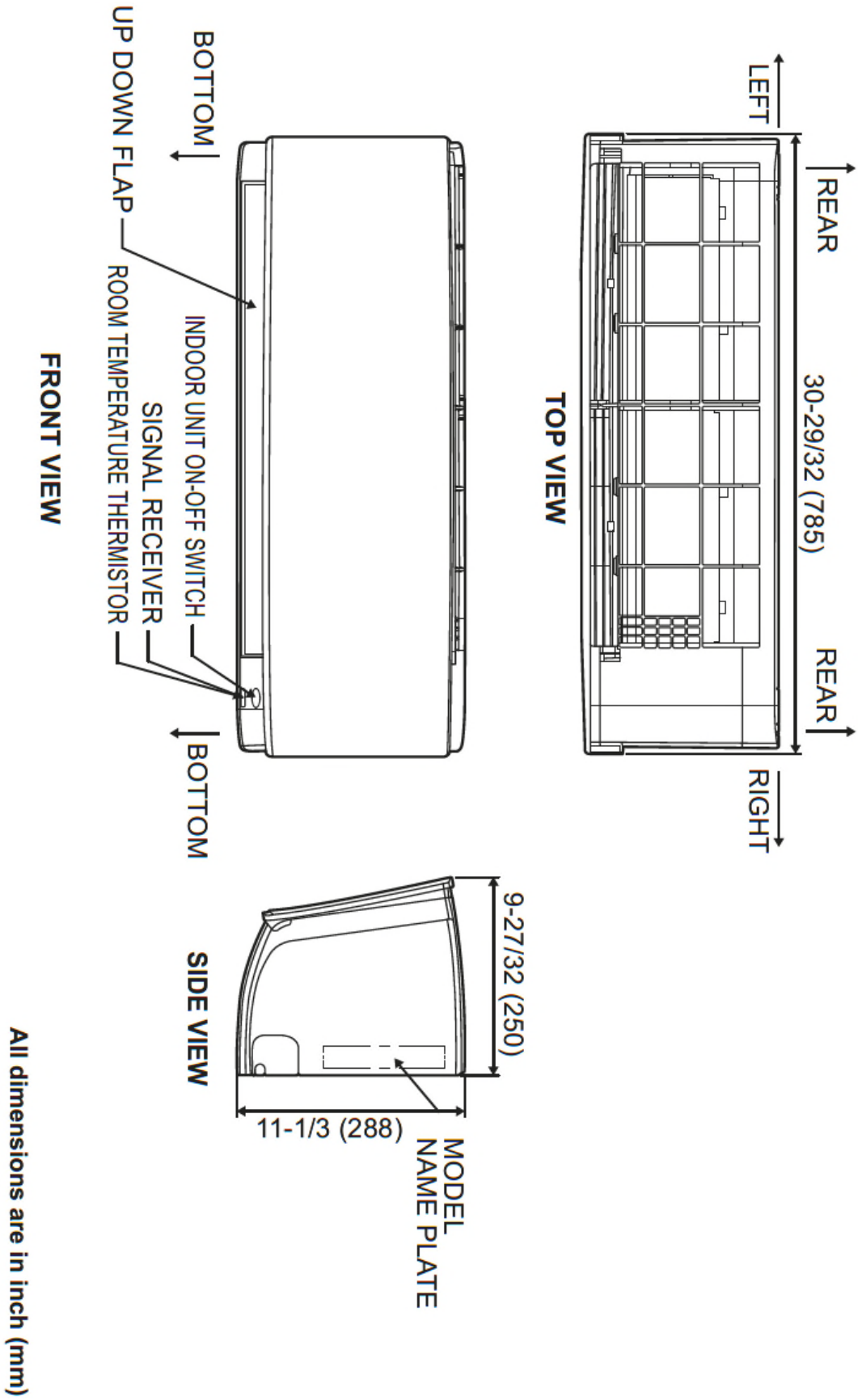
Liquid (in)	1/4
Gas (in)	3/8
Drain (in)	3/4
Max. Interunit Piping Length (ft)	65.625
Max. Interunit Height Difference (ft)	49.25
Chargeless (ft)	32.8
Additional Charge of Refrigerant (oz/ft)	.21

Daikin North America LLC 5151 San Felipe, Suite 500 Houston, TX 77056

(Daikin's products are subject to continuous improvements. Daikin reserves the right to modify product design, specifications and information in this data sheet without notice and without incurring any obligations)

Submittal Revision Date: August 2020

Page 1 of 4



Daikin North America LLC 5151 San Felipe, Suite 500 Houston, TX 77056

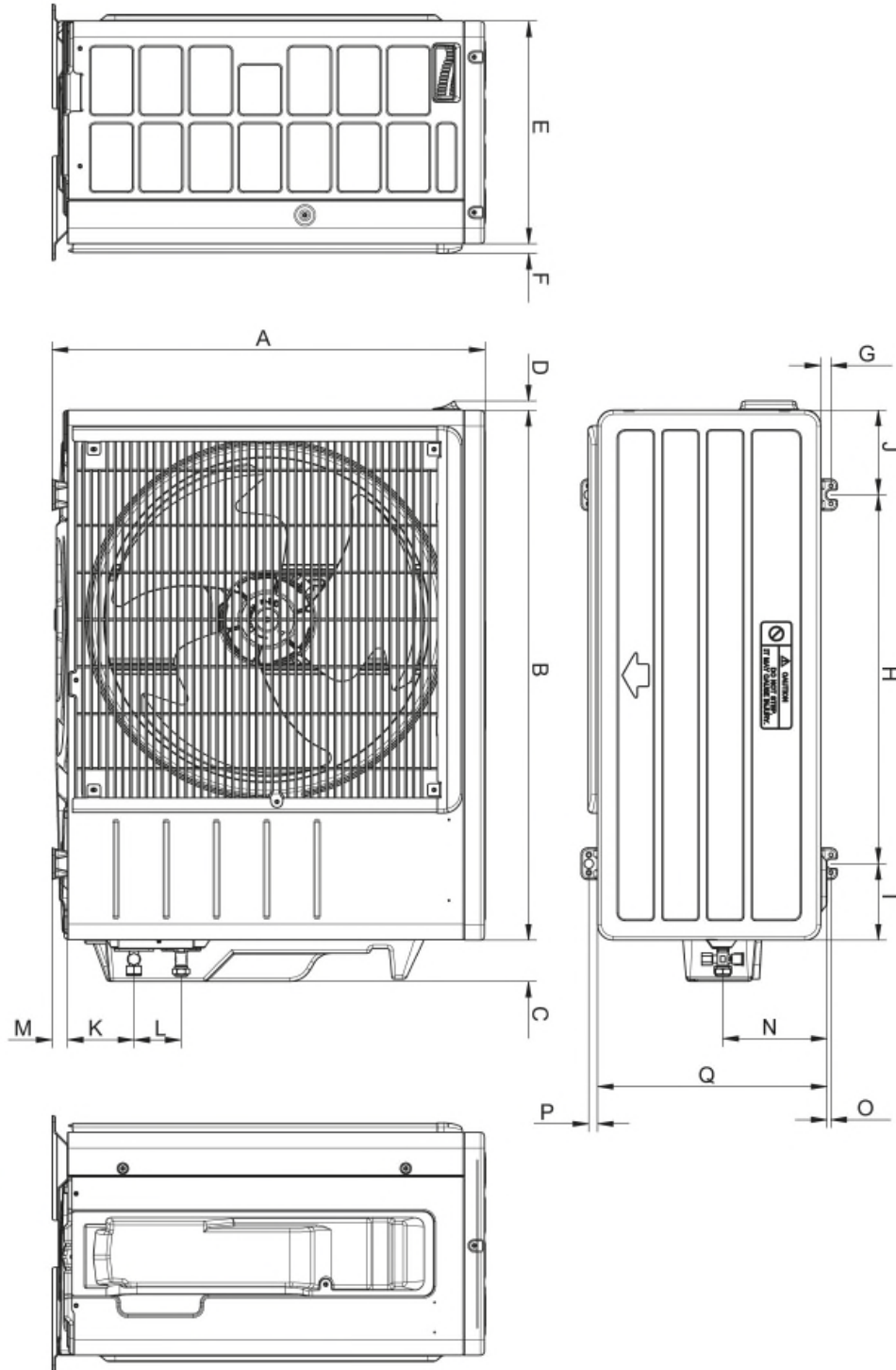
(Daikin's products are subject to continuous improvements. Daikin reserves the right to modify product design, specifications and information in this data sheet without notice and without incurring any obligations)

RX09AXVJU Dimensional Data



Model	Dimension																
09/12	A	B	C	D	E	F	G	H	I	J	K	L	M	N	O	P	Q
	21-11/16 (550)	26-1/2 (675)	2-1/16 (53)	15/32 (12)	11-3/16 (284)	15/32 (12)	1/2 (13)	18-1/2 (470)	3-13/16 (97)	4-1/4 (108)	3-3/8 (86)	2-3/8 (60)	25/32 (20)	5-1/4 (133)	3/16 (5)	7/16 (11)	11-1/2 (292)

All dimensions are in inch (mm)



Daikin North America LLC 5151 San Felipe, Suite 500 Houston, TX 77056

(Daikin's products are subject to continuous improvements. Daikin reserves the right to modify product design, specifications and information in this data sheet without notice and without incurring any obligations)



Indoor Unit		
Included	Part Number	Description
	BRP072A43	Wireless Interface Adaptor
	AZAI6WSCDKB	DKN Residential Cloud Wi-Fi Adaptor for Single- and Multi-Zone System (S21)
	BRC944B2-A08	Wired Remote Controller kit
	BRCW901A08	Wired Remote Controller Cable – 25ft (Included in above kit)
	BRCW901A03	Wired Remote Controller Cable – 10ft
	DACA-CP1-1	Inline Condensate Pump (Fits inside all Daikin wall & floor mount units)
	DACA-CP4-1	External Condensate Pump

Outdoor Unit		
Included	Part Number	Description
	DACA-WB-1	Powder-Coated Wall-Mounted Bracket
	KPW937F4	Air direction adjustment grille (09 & 12)
	KEH067A41E	Daikin BMS Drain Pan Heater Small RX09,12 & RXN09,12
	KKG067A41	Back protection wire net (09 & 12)

Job Name:	
Tag#	



Submittal Data Sheet

FTX12AXVJU / RX12AXVJU

1-Ton Wall Mounted Heat Pump System



Complete warranty details available from your local dealer or at www.daikincomfort.com. To receive the 12-Year Parts Limited Warranty, online registration must be completed within 60 days of installation. Online registration is not required in California or Quebec. *If product is installed in a commercial application, limited warranty period is 5 years.*

Indoor Specifications

Airflow Rate (cfm)	Cooling		Heating	
	H	M	H	M
	L	SL	L	SL
	436	316	412	316
	247	210	247	210
Sound (dBA) H / M / L / SL	45 / 37 / 31 / 26		45 / 37 / 30 / 26	
Dimensions (H x W x D) (in)	11-1/3 x 30-29/32 x 9-27/32			
Weight (Lbs)	22			

Outdoor Specifications

Compressor	Hermetically Sealed Swing Type			
Refrigerant	R-410A			
Factory Charge (Lbs)	2.09			
Refrigerant Oil	PVE (FVC50K)			
Airflow Rate (cfm)	Cooling		Heating	
	H	M	H	M
		1,051		966
Sound Pressure Level (dBA)	49			
Dimensions (H x W x D) (in)	21-11/16 x 26-1/2 x 11-3/16			
Weight (Lbs)	64			

Efficiency

Cooling		Heating	
SEER	19	HSPF	10.0
EER	12.5	COP	3.80

Performance

Cooling (Btu/hr)	
Rated (Min/Max)	10,900 (4,400 / 13,300)
Sensible @ AHRI	9,090
Moisture Removal gal/h	.19
Standard Operating Range	50°F – 115°F
Extended Operating Range*	-4°F – 115°F

Rated Cooling Conditions: Indoor: 80°F DB/67°F WB
Outdoor: 95°F DB/75°F WB

*With field settings and wind baffle

Heating (Btu/hr)	
1: @ 47° Rated (Min/Max)	13,500 (4,400 / 16,400)
2: @ 17° Rated	8,600
Operating Range	5°F – 65°F

1: Rated Heating Conditions: Indoor: 70°F DB/60°F WB
Outdoor: 47°F DB/43°F WB

2: Rated Heating Conditions: Indoor: 70°F DB/60°F WB
Outdoor: 17°F DB/15°F WB

Electrical

	208/60/1	230/60/1
System MCA	8.7	8.7
System MFA	15.0	15.0
Compressor RLA	8.5	8.5
Outdoor fan motor FLA	.47	.47
Outdoor fan motor W	41	41
Indoor fan motor FLA	.36	.36
Indoor fan motor W	38	38

MFA: Max. fuse amps MCA: Min. circuit amps (A) FLA: Full load amps (A)

RLA: Rated load amps (A) W: Fan motor rated output (W)

Piping

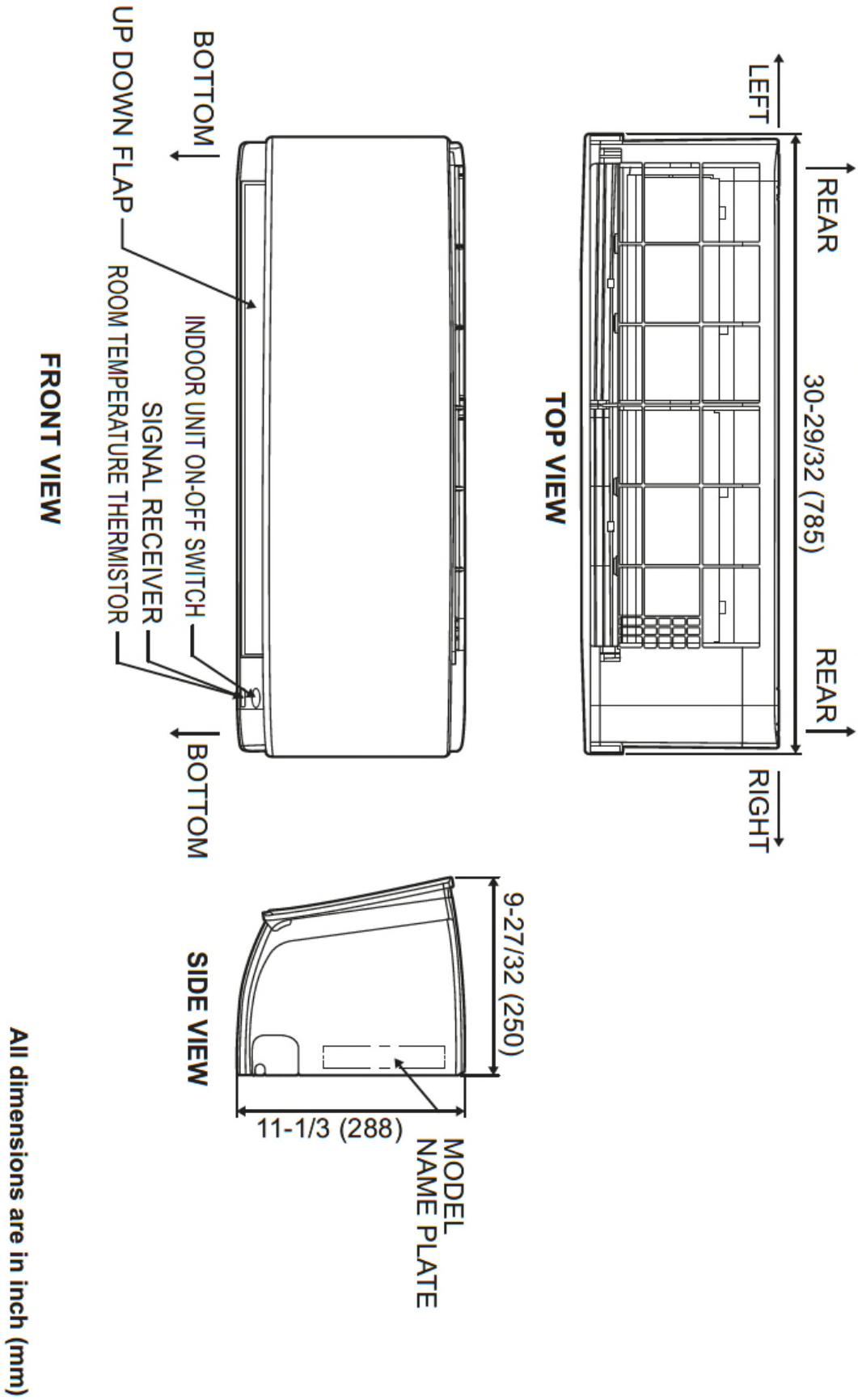
Liquid (in)	1/4
Gas (in)	3/8
Drain (in)	3/4
Max. Interunit Piping Length (ft)	65.625
Max. Interunit Height Difference (ft)	49.25
Chargeless (ft)	32.8
Additional Charge of Refrigerant (oz/ft)	.21

Daikin North America LLC 5151 San Felipe, Suite 500 Houston, TX 77056

(Daikin's products are subject to continuous improvements. Daikin reserves the right to modify product design, specifications and information in this data sheet without notice and without incurring any obligations)

Submittal Revision Date: August 2020

Page 1 of 4



Daikin North America LLC 5151 San Felipe, Suite 500 Houston, TX 77056

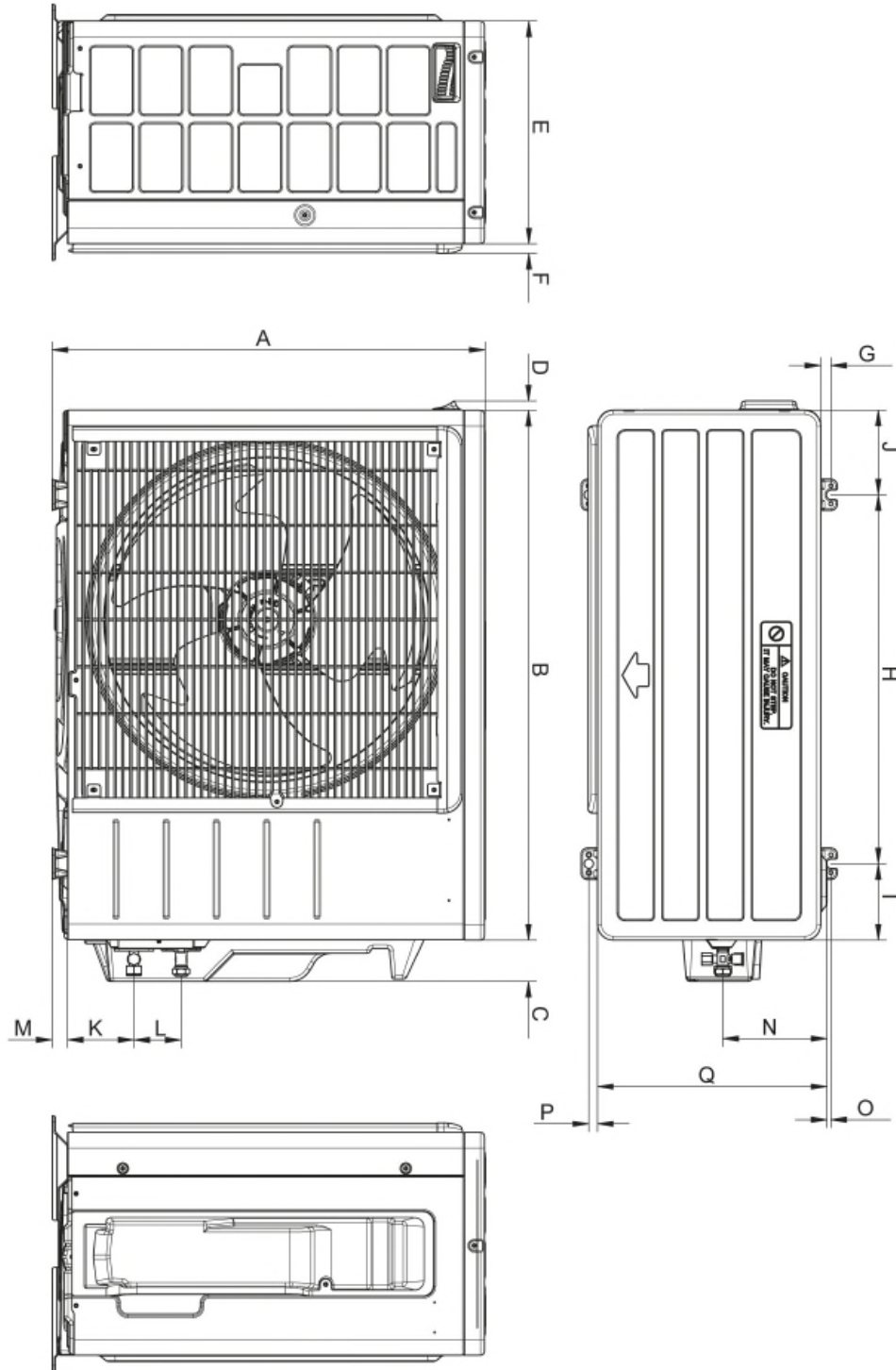
(Daikin's products are subject to continuous improvements. Daikin reserves the right to modify product design, specifications and information in this data sheet without notice and without incurring any obligations)

RX12AXVJU Dimensional Data



Model	Dimension																
09/12	A	B	C	D	E	F	G	H	I	J	K	L	M	N	O	P	Q
	21-11/16 (550)	26-1/2 (675)	2-1/16 (53)	15/32 (12)	11-3/16 (284)	15/32 (12)	1/2 (13)	18-1/2 (470)	3-13/16 (97)	4-1/4 (108)	3-3/8 (86)	2-3/8 (60)	25/32 (20)	5-1/4 (133)	3/16 (5)	7/16 (11)	11-1/2 (292)

All dimensions are in inch (mm)



Daikin North America LLC 5151 San Felipe, Suite 500 Houston, TX 77056

(Daikin's products are subject to continuous improvements. Daikin reserves the right to modify product design, specifications and information in this data sheet without notice and without incurring any obligations)



Indoor Unit		
Included	Part Number	Description
	BRP072A43	Wireless Interface Adaptor
	AZAI6WSCDKB	DKN Residential Cloud Wi-Fi Adaptor for Single- and Multi-Zone System (S21)
	BRC944B2-A08	Wired Remote Controller kit
	BRCW901A08	Wired Remote Controller Cable – 25ft (Included in above kit)
	BRCW901A03	Wired Remote Controller Cable – 10ft
	DACA-CP1-1	Inline Condensate Pump (Fits inside all Daikin wall & floor mount units)
	DACA-CP4-1	External Condensate Pump

Outdoor Unit		
Included	Part Number	Description
	DACA-WB-1	Powder-Coated Wall-Mounted Bracket
	KPW937F4	Air direction adjustment grille (09 & 12)
	KEH067A41E	Daikin BMS Drain Pan Heater Small RX09,12 & RXN09,12
	KKG067A41	Back protection wire net (09 & 12)

Job Name:	
Tag#	



Submittal Data Sheet

FTX18AXVJU / RX18AXVJU

1.5-Ton Wall Mounted Heat Pump System



Complete warranty details available from your local dealer or at www.daikincomfort.com. To receive the 12-Year Parts Limited Warranty, online registration must be completed within 60 days of installation. Online registration is not required in California or Quebec. *If product is installed in a commercial application, limited warranty period is 5 years.*

Indoor Specifications

Airflow Rate (cfm)	Cooling		Heating	
	H	M	H	M
	L	SL	L	SL
	716	605	716	605
	467	395	467	395
Sound (dBA) H / M / L / SL	49 / 44 / 38 / 33		49 / 42 / 37 / 33	
Dimensions (H x W x D) (in)	11-11/16 x 39-1/2 x 11-1/3			
Weight (Lbs)	31			

Outdoor Specifications

Compressor	Hermetically Sealed Swing Type			
Refrigerant	R-410A			
Factory Charge (Lbs)	3.20			
Refrigerant Oil	PVE (FVC50K)			
Airflow Rate (cfm)	Cooling		Heating	
	H	2,005	H	1,905
Sound Pressure Level (dBA)	54			
Dimensions (H x W x D) (in)	27-13/32 x 36-5/8 x 13-13/16			
Weight (Lbs)	101			

Efficiency

Cooling		Heating	
SEER	18.5	HSPF	9.0
EER	12.5	COP	3.60

Performance

Cooling (Btu/hr)	
Rated (Min/Max)	18,000 (5,500 / 20,000)
Sensible @ AHRI	14,480
Moisture Removal gal/h	0.41
Standard Operating Range	50°F – 115°F
Extended Operating Range*	-4°F – 115°F

Rated Cooling Conditions: Indoor: 80°F DB/67°F WB
Outdoor: 95°F DB/75°F WB

*With field settings and wind baffle

Heating (Btu/hr)	
1: @ 47° Rated (Min/Max)	21,600 (5,500 / 24,000)
2: @ 17° Rated	12,700
Operating Range	5°F – 65°F

1: Rated Heating Conditions: Indoor: 70°F DB/60°F WB
Outdoor: 47°F DB/43°F WB
2: Rated Heating Conditions: Indoor: 70°F DB/60°F WB
Outdoor: 17°F DB/15°F WB

Electrical

	208/60/1	230/60/1
System MCA	16.4	16.4
System MFA	20.0	20.0
Compressor RLA	16.0	16.0
Outdoor fan motor FLA	.99	.99
Outdoor fan motor W	128	128
Indoor fan motor FLA	.50	.50
Indoor fan motor W	35	35

MFA: Max. fuse amps MCA: Min. circuit amps (A) FLA: Full load amps (A)
RLA: Rated load amps (A) W: Fan motor rated output (W)

Piping

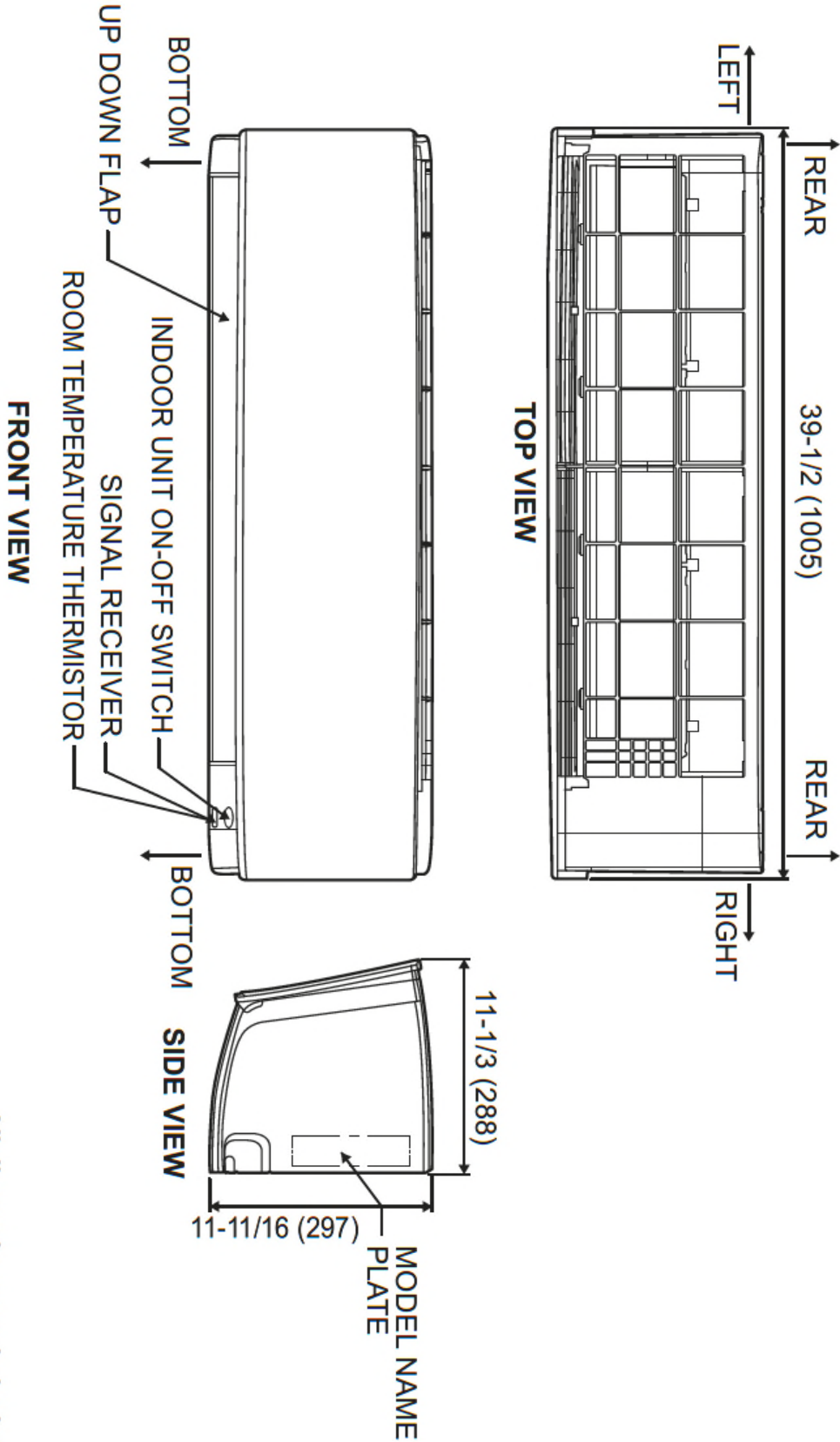
Liquid (in)	1/4
Gas (in)	1/2
Drain (in)	3/4
Max. Interunit Piping Length (ft)	98.4
Max. Interunit Height Difference (ft)	65.625
Chargeless (ft)	32.8
Additional Charge of Refrigerant (oz/ft)	.21

Daikin North America LLC 5151 San Felipe, Suite 500 Houston, TX 77056

(Daikin's products are subject to continuous improvements. Daikin reserves the right to modify product design, specifications and information in this data sheet without notice and without incurring any obligations)

Submittal Revision Date: September 2020

Page 1 of 4



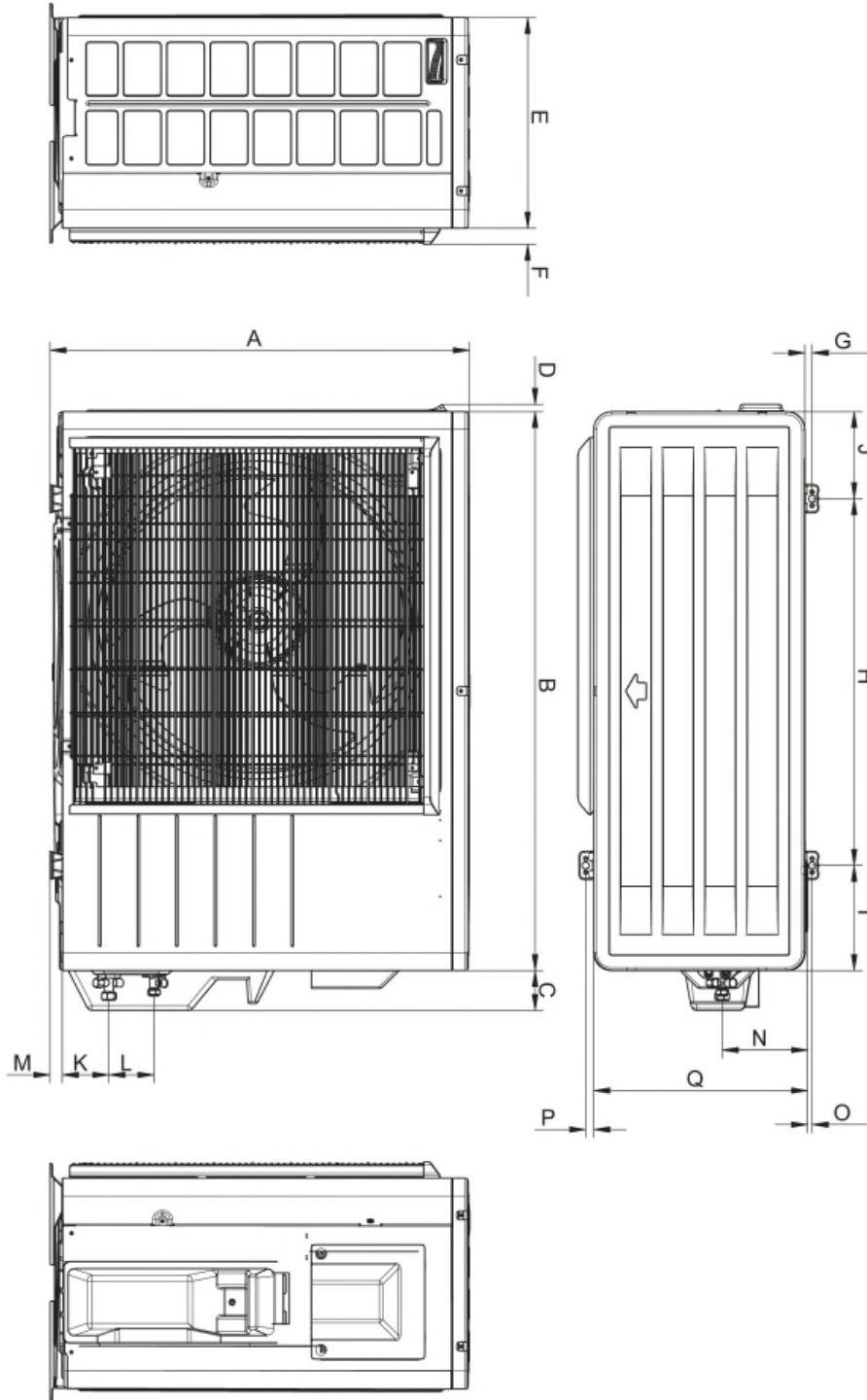
All dimensions are in inch (mm)

RX18AXVJU Dimensional Data



Model	Dimension																
18/24	A	B	C	D	E	F	G	H	I	J	K	L	M	N	O	P	Q
	27-13/32 (696)	36-5/8 (930)	2-19/32 (66)	15/32 (12)	13-13/16 (351)	1-1/16 (27)	15/32 (12)	24 (610)	6-7/8 (175)	5-23/32 (145)	3-1/32 (77)	2-31/32 (75)	13/16 (21)	5-19/32 (142)	5/16 (8)	17/32 (13)	13-31/32 (355)

All dimensions are in inch (mm)



Daikin North America LLC 5151 San Felipe, Suite 500 Houston, TX 77056

(Daikin's products are subject to continuous improvements. Daikin reserves the right to modify product design, specifications and information in this data sheet without notice and without incurring any obligations)



Indoor Unit		
Included	Part Number	Description
	BRP072A43	Wireless Interface Adaptor
	AZAI6WSCDKB	DKN Residential Cloud Wi-Fi Adaptor for Single- and Multi-Zone System (S21)
	BRC944B2-A08	Wired Remote Controller kit
	BRCW901A08	Wired Remote Controller Cable – 25ft (Included in above kit)
	BRCW901A03	Wired Remote Controller Cable – 10ft
	DACA-CP1-1	Inline Condensate Pump (Fits inside all Daikin wall & floor mount units)
	DACA-CP4-1	External Condensate Pump

Outdoor Unit		
Included	Part Number	Description
	DACA-WB-1	Powder-Coated Wall-Mounted Bracket
	KPW063B4E	Air Adjustment Grille

Job Name:	
Tag#	



Submittal Data Sheet

FTX24AXVJU / RX24AXVJU

2-Ton Wall Mounted Heat Pump System



Complete warranty details available from your local dealer or at www.daikincomfort.com. To receive the 12-Year Parts Limited Warranty, online registration must be completed within 60 days of installation. Online registration is not required in California or Quebec. *If product is installed in a commercial application, limited warranty period is 5 years.*

Indoor Specifications

Airflow Rate (cfm)	Cooling		Heating	
	H	M	H	M
	L	SL	L	SL
	716	605	716	605
	467	395	467	395
Sound (dBA) H / M / L / SL	53 / 45 / 39 / 34		53 / 43 / 37 / 34	
Dimensions (H x W x D) (in)	11-11/16 x 39-1/2 x 11-1/3			
Weight (Lbs)	31			

Outdoor Specifications

Compressor	Hermetically Sealed Swing Type			
Refrigerant	R-410A			
Factory Charge (Lbs)	3.86			
Refrigerant Oil	PVE (FVC50K)			
Airflow Rate (cfm)	Cooling		Heating	
	H	1,908	H	1,908
Sound Pressure Level (dBA)	55			
Dimensions (H x W x D) (in)	27-13/32 x 36-5/8 x 13-13/16			
Weight (Lbs)	106			

Efficiency

Cooling		Heating	
SEER	19	HSPF	9.0
EER	12.2	COP	3.45

Performance

Cooling (Btu/hr)	
Rated (Min/Max)	21,200 (5,500 / 24,000)
Sensible @ AHRI	15,670
Moisture Removal gal/h	0.67
Standard Operating Range	50°F – 115°F
Extended Operating Range*	-4°F – 115°F

Rated Cooling Conditions: Indoor: 80°F DB/67°F WB
Outdoor: 95°F DB/75°F WB

*With field settings and wind baffle

Heating (Btu/hr)	
1: @ 47° Rated (Min/Max)	23,600 (5,800 / 27,600)
2: @ 17° Rated	15,300
Operating Range	5°F – 65°F

1: Rated Heating Conditions: Indoor: 70°F DB/60°F WB
Outdoor: 47°F DB/43°F WB

2: Rated Heating Conditions: Indoor: 70°F DB/60°F WB
Outdoor: 17°F DB/15°F WB

Electrical

	208/60/1	230/60/1
System MCA	16.4	16.4
System MFA	20.0	20.0
Compressor RLA	16.0	16.0
Outdoor fan motor FLA	1.0	1.0
Outdoor fan motor W	128	128
Indoor fan motor FLA	.50	.50
Indoor fan motor W	35	35

MFA: Max. fuse amps MCA: Min. circuit amps (A) FLA: Full load amps (A)

RLA: Rated load amps (A) W: Fan motor rated output (W)

Piping

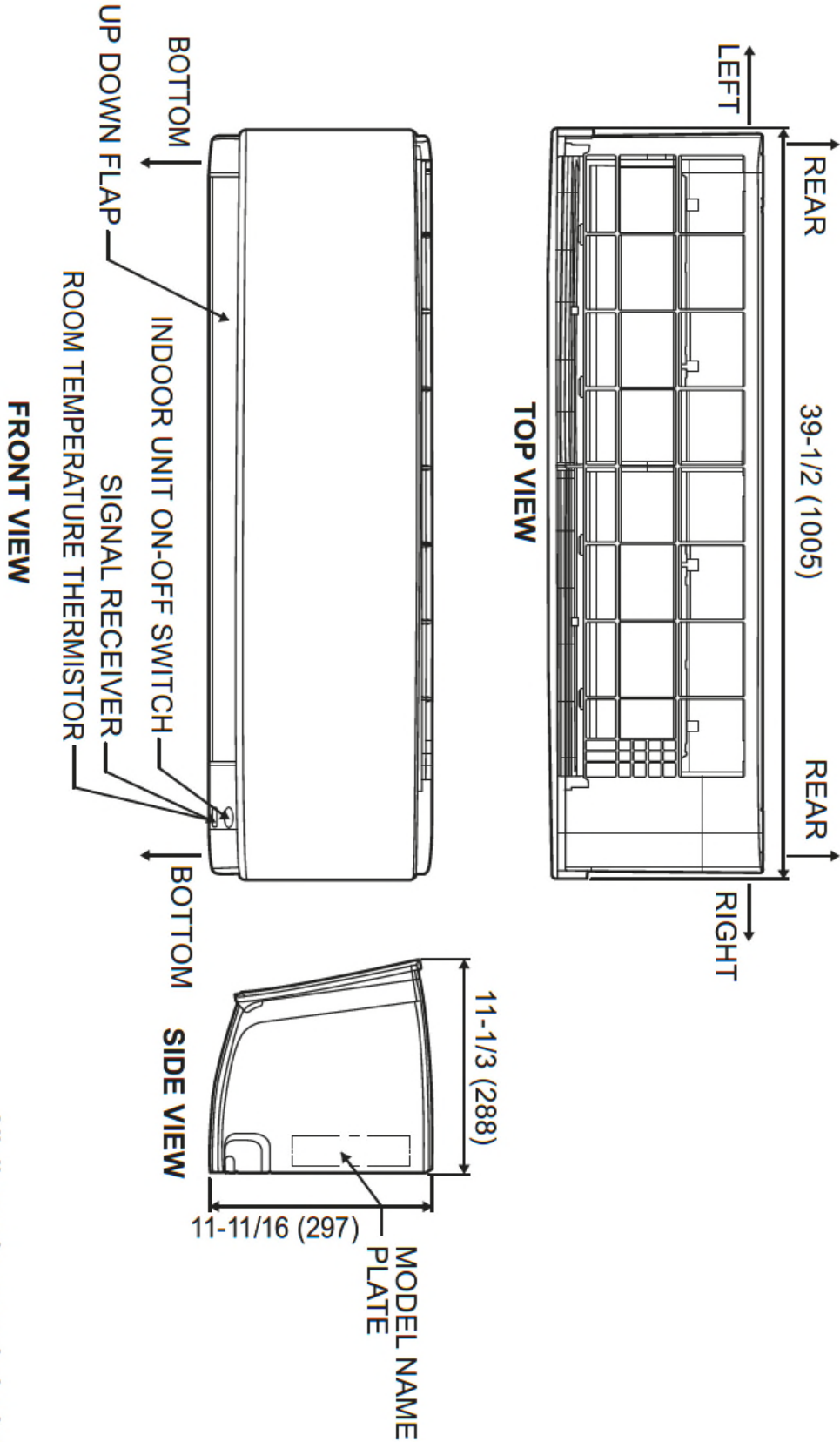
Liquid (in)	1/4
Gas (in)	5/8
Drain (in)	3/4
Max. Interunit Piping Length (ft)	98.4
Max. Interunit Height Difference (ft)	65.625
Chargeless (ft)	32.8
Additional Charge of Refrigerant (oz/ft)	.21

Daikin North America LLC 5151 San Felipe, Suite 500 Houston, TX 77056

(Daikin's products are subject to continuous improvements. Daikin reserves the right to modify product design, specifications and information in this data sheet without notice and without incurring any obligations)

Submittal Revision Date: September 2020

Page 1 of 4



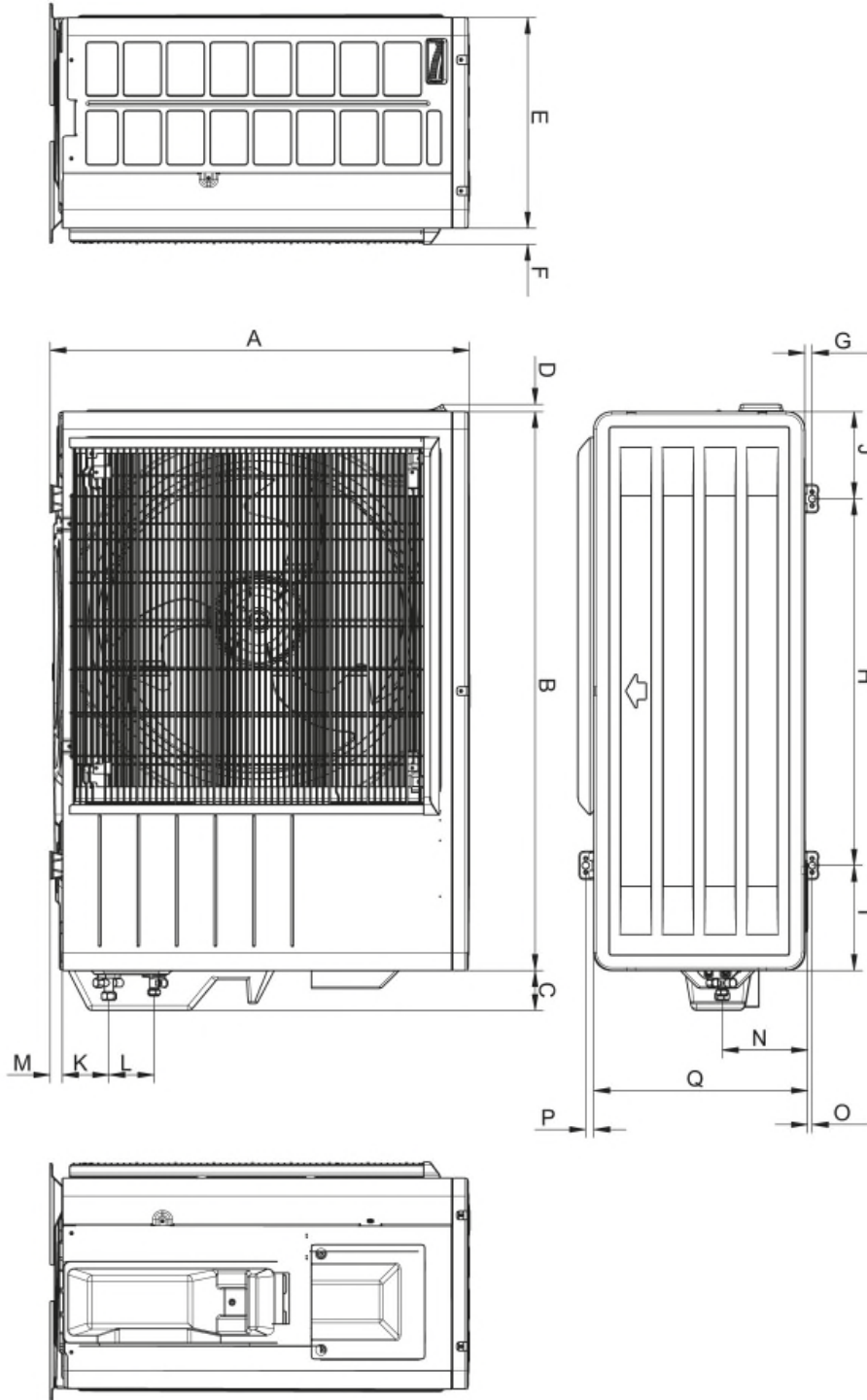
All dimensions are in inch (mm)

RX24AXVJU Dimensional Data



Model	Dimension																
18/24	A	B	C	D	E	F	G	H	I	J	K	L	M	N	O	P	Q
	27-13/32 (696)	36-5/8 (930)	2-19/32 (66)	15/32 (12)	13-13/16 (351)	1-1/16 (27)	15/32 (12)	24 (610)	6-7/8 (175)	5-23/32 (145)	3-1/32 (77)	2-31/32 (75)	13/16 (21)	5-19/32 (142)	5/16 (8)	17/32 (13)	13-31/32 (355)

All dimensions are in inch (mm)



Daikin North America LLC 5151 San Felipe, Suite 500 Houston, TX 77056

(Daikin's products are subject to continuous improvements. Daikin reserves the right to modify product design, specifications and information in this data sheet without notice and without incurring any obligations)



Indoor Unit		
Included	Part Number	Description
	BRP072A43	Wireless Interface Adaptor
	AZAI6WSCDKB	DKN Residential Cloud Wi-Fi Adaptor for Single- and Multi-Zone System (S21)
	BRC944B2-A08	Wired Remote Controller kit
	BRCW901A08	Wired Remote Controller Cable – 25ft (Included in above kit)
	BRCW901A03	Wired Remote Controller Cable – 10ft
	DACA-CP1-1	Inline Condensate Pump (Fits inside all Daikin wall & floor mount units)
	DACA-CP4-1	External Condensate Pump

Outdoor Unit		
Included	Part Number	Description
	DACA-WB-1	Powder-Coated Wall-Mounted Bracket
	KPW063B4E	Air Adjustment Grille