

# REPAIR PARTS

---

## FURNACE ACCESSORIES CATALOG

EFR01

LPLP01

Made in the USA by:  
Goodman Manufacturing Company, L.P.  
2550 North Loop West, Suite 400  
Houston Texas 77092

## Important Information

---

Goodman Manufacturing Company, L.P. is not responsible for personal injury or property damage resulting from improper service. Review all service information before beginning repairs.

Warranty service must be performed by an authorized technician, using authorized factory parts. If service is required after the warranty expires, Goodman Manufacturing Company, L.P. also recommends contacting an authorized technician and using authorized factory parts.

Goodman Manufacturing Company, L.P., reserves the right to discontinue, or change at any time, specifications or designs without notice or without incurring obligations. Goodman® brand products are made proudly in the USA.

For assistance within the U.S.A. contact:

Consumer Affairs Department  
Goodman Manufacturing Company, L.P.  
7401 Security Way  
Houston, Texas 77040  
877-254-4729-Telephone  
713-863-2382-Facsimile

For assistance outside the U.S.A. contact:

International Division  
Goodman Manufacturing Company, L.P.  
7401 Security Way  
Houston, Texas 77040  
713-861-2500-Telephone  
713-863-2382-Facsimile

# Index

Functional Parts List .....  
Illustration and Parts .....

*Views shown are for parts illustrations only, not servicing procedures.*

### Text Codes:

AR - As Required

NA - Not Available

NS - Not Shown

00000000 - See Note

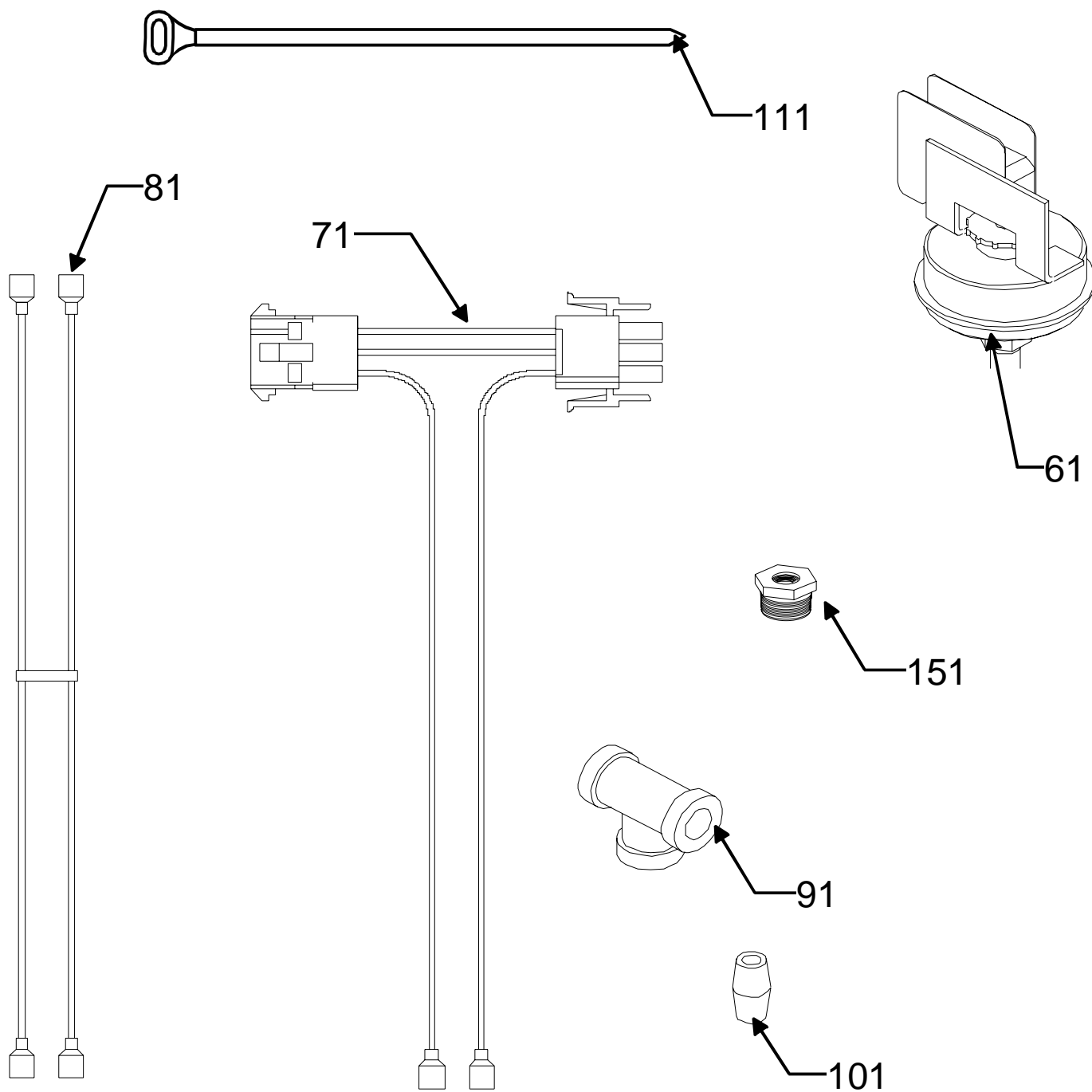
QTY - Quantity Example (QTY 3) (If Quantity not shown, Quantity = 1)

M - Model Example (M1) (If M Code not shown, then part is used on all Models)

### Expanded Model Nomenclature:

Example	
M1 - Model#1	P _____
M2 - Model#2	P _____
M3 - Model#3	P _____

# Propane Conversion Kit (LPLP01)



# Propane Conversion Kit (LPLP01)

Ref. Part No:	Part No:	Description:	Ref. Part No:	Part No:	Description:
---------------	----------	--------------	---------------	----------	--------------

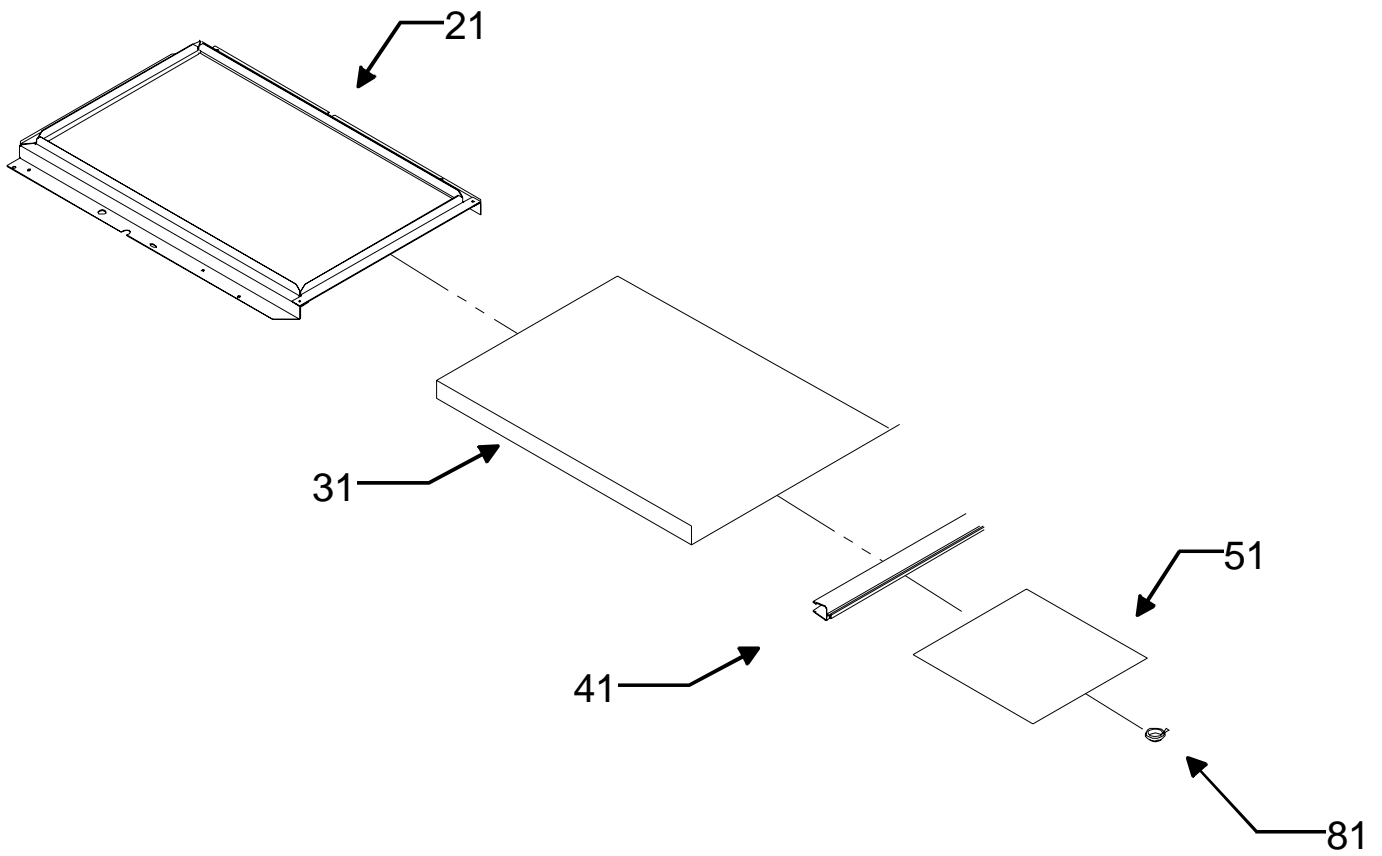
Image 1:

61	20328701	SWITCH-GAS PRESS (M8)
71	20328803	HARNESS-WIRE (M8)
81	20328801	HARNESS-WIRE (M8)
91	91000401	TEE-PIPE (M8)
101	M0020032	NIPPLE-PIPE (M8)
111	M0322801	TIE-ELEC (M8)
NS	M0021305	BUSHING-REDUCER (M8)
NS	10314622	INSTR-INSTALL (M8)

Expanded Model Nomenclature

M1 - FTK03A	P1171305F
M2 - LPTK09	P1200106F
M3 - LPTK09	P1200107F
M4 - LPTK09	P1200108F
M5 - ASB01	P1200202F
M6 - DEHUM1	P1227802F
M7 - TSRK01	P1232601F
M8 - LPLP01	P1237701F
M9 - EFR01	P1221001F
M10 - EFR01	P1221002F
M11 - LPT-00A	
M12 - LPM-03B	
M13 - FFK03A	P1122303C

# External Filter (EFR01)



# External Filter (EFR01)

Ref. Part No:	No:	Description:	Ref. Part No:	No:	Description:
---------------	-----	--------------	---------------	-----	--------------

---

Image 1:

21	20157901	FILTER RACK ASSY (M9)
21	20157902	FILTER RACK ASSY (M10)
31	22316601	FILTER ASSY (M9)
41	20158001	FILTER EXTRUSION (M9, M10)
81	M0570808	PLUG-BUTTON (M9, M10)
NS	20159301	INSTR-INSTALL (M9, M10)

Expanded Model Nomenclature

M1 - FTK03A	P1171305F
M2 - LPTK09	P1200106F
M3 - LPTK09	P1200107F
M4 - LPTK09	P1200108F
M5 - ASB01	P1200202F
M6 - DEHUM1	P1227802F
M7 - TSRK01	P1232601F
M8 - LPLP01	P1237701F
M9 - EFR01	P1221001F
M10 - EFR01	P1221002F
M11 - LPT-00A	
M12 - LPM-03B	
M13 - FFK03A	P1122303C