



NEW PRODUCT ANNOUNCEMENT

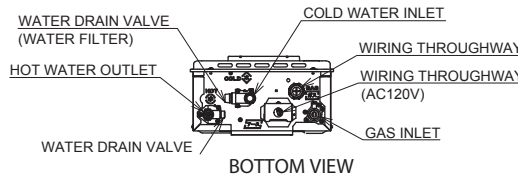
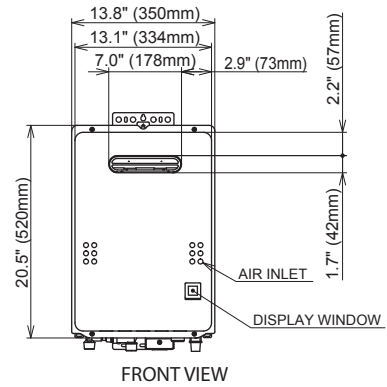
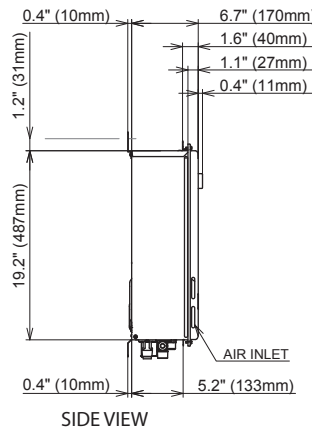
NEW! NR501-OD



BTU Input Range: 15,000 - 120,000
 Max Flow Rate: Up to 5 gpm
 Dimensions: 20.5" x 13.8" x 6.7"
 Exhaust Type: OD
 Warranty: 12 years Heat Exchanger
 5 years Parts
 1 year Pre-Approved Reasonable Labor

- BTU Input Range 15,000 - 120,000
- Flow Rate 0.5 - 5 gpm
- **New scale detection software**
- 1/2" Gas Line Connection
- Compact Design
- New Display Window
- Tech Data Sheet Included

**Available:
Jan 1st, 2014**



HEIGHT OF EACH FITTING FROM BOTTOM OF CASE	
	NRC501-OD
HOT WATER OUTLET	1.8"(45mm)
COLD WATER INLET	1.9"(49mm)
GAS INLET	2.0"(50mm)

ACCESSORIES:

- Isolator Valves (#IK-WV-200-1-xx-LF)
- Pipe Cover (#PC-1S)
- Recess Box (#RB-510)